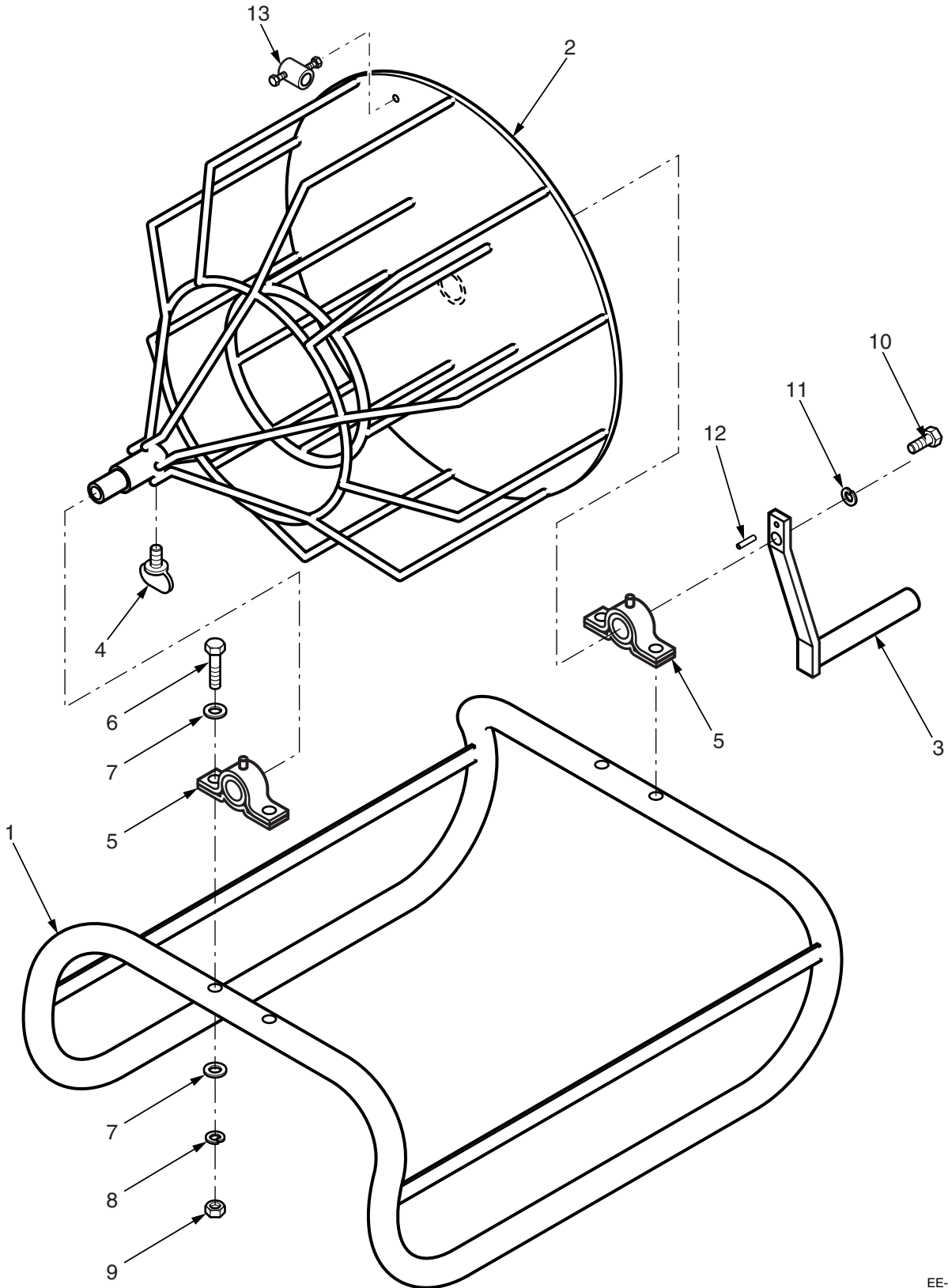


MODEL K DRAIN CLEANING MACHINE



EE-K1

MODEL K DRAIN CLEANING MACHINE

ITEM NUMBER	PART NUMBER	DESCRIPTION	AMT
1	K-1A	Frame Assembly	1
2	K-2A	Cage Assembly	1
3	K-6A	Crank Handle Assembly	1
4	TS38	3/8" Thumb Screw	1
5	K-PB	Pillow Block Assembly	2
6	CSHH51618134	Pillow Block Capscrews	4
7	WA516S	Pillow Block Washers	8
8	LW516	Pillow Block Lockwashers	4
9	NU51618FHP	Pillow Block Nuts	4
10	CSHH381658	Handle Capscrew	1
11	LW38	Handle Lockwasher	1
12	RP1478	Handle Drive Pin	1
13	DN-6	Cable Anchor	1