

GET TO THE ROOT OF YOUR BLOCKAGE PROBLEM

Electric Eel Model C



Electric Eel®

Optional Cable Cart for easy transport

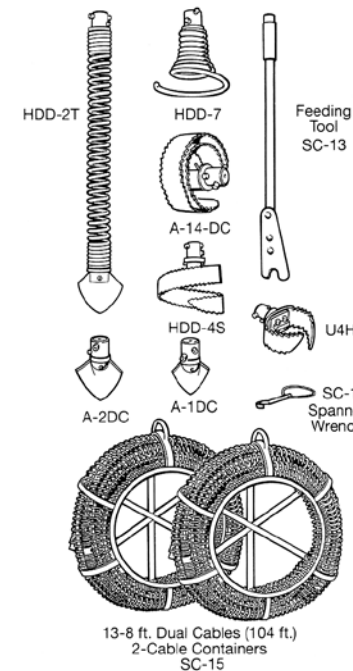


NEW Optional Sludge Buster Tools



Optional Expansion Tools

Standard Equipment



Plumbers Kit

Initial Opening Tools.

- HDD-2T - 2-3/8" diameter for 4" or larger pipeline
- A-1DC - 1-7/8" diameter for 3" or larger pipeline
- A-2DC - 2-3/8" diameter for 4" or larger pipeline

Finishing Tools.

- A-14DC - 3-1/2" diameter for 4" pipelines and "P" traps

Heavy Duty Tools.

- HDD-4S - 3" diameter for difficult obstructions in 4" or larger pipelines
- U4H - heavy duty tool for removing grease in 4" pipelines

Retrieving Tools.

- HDD-7 - Retrieves broken cable or tools from pipeline

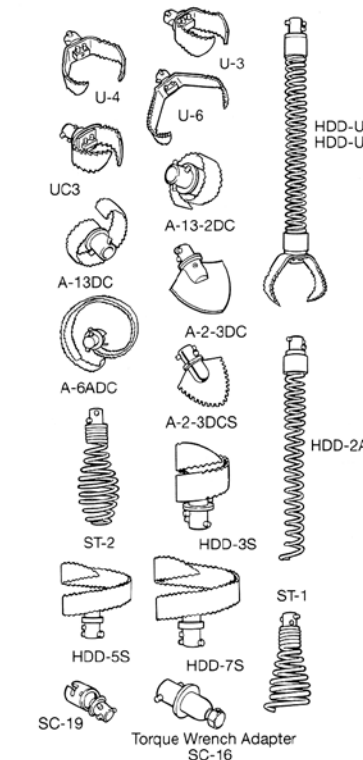
Feeding Tool. Helps operator start cable through traps or severe bends

Cable Container. Provides convenient handling and storage of up to 56 feet of cable

Spanner Wrench. (SC-18) Disconnects cables and tools

Note: See rental brochure for standard equipment in Rental Kit

Optional Equipment



Grease Removing Tools.

- U-3 - for 3" pipelines
- U-4 - for 4" pipelines
- U-6 - for 6" pipelines
- UC3 - for 3" pipelines

Finishing Tools.

- A-2-3DC - 3" diameter for 4" or larger pipelines
- A-13-2DC - for 3" conductor lines
- A-13DC - for 4" conductor lines
- A-6ADC - 5" diameter for 6" pipelines
- A-2-3DC Special - chops ice in 4" pipelines
- ST-2 - bulb-shaped cleaning tool for 4" plastic pipeline

Heavy Duty Tools.

- HDD-3S - for 3" or larger pipelines
- HDD-5S - for 6" pipelines
- HDD-7S - for 8" pipelines

Retrieving Tools.

- ST-1 - right wound retriever
- HDD-2A - longer, thinner right wound retriever

Flexible Spring Tools.

- HDD-U3 - 12" diameter spring with U3 blade for 3" pipelines
- HDD-U4 - 12" diameter spring with U4 or HD blade for 4" pipelines

Accessories.

- SC-19 - provides swivel joint between cleaning tools and cable
- SC-16 - Torque Wrench Adapter

Note: Always refer to operator's manual and safety instructions before operating any drain and sewer cleaning equipment.



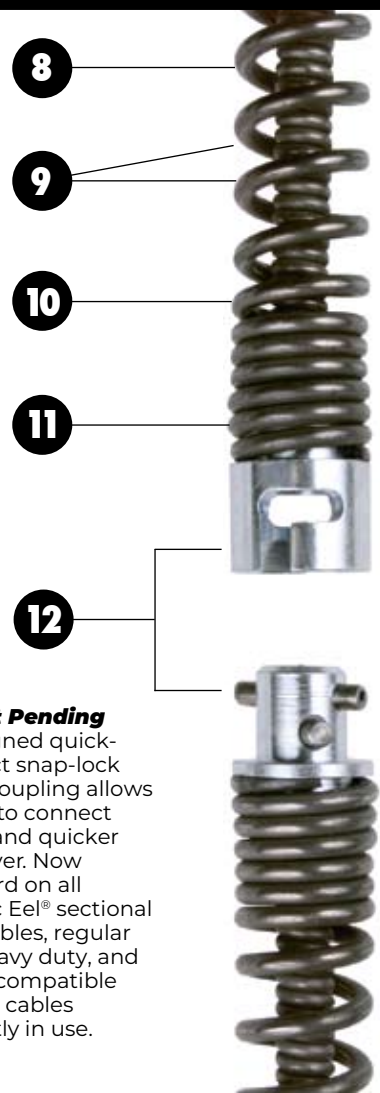
Professionally engineered to clean 3" to 10" diameter pipelines up to 60m.

1. One-man operation means less time and labor expense.
2. Fold down handle allows for easy transportation, storage and use in crawl spaces.
3. Custom designed and manufactured gear box ensures higher quality, lower cost, parts availability.
4. Unique carry handle for balance and easy transport.
5. Heavy duty, fully adjustable safety clutch keeps cable and tool breakage to a minimum and provides overload protection.
6. Rugged cast aluminum base provides lightweight durability; Ground Fault Circuit Interrupter (GFCI) safety feature comes standard.
7. 1/2, 3/4 and 1 H.P. motors are available.
8. Patented, self-feeding, dual cable requires no manual handling, operates at higher speeds (500 RPM) than drum machines and cuts through stoppages more effectively.
9. Right hand wound outer coil and left hand wound inner are both anchored to reduce helixing and loss of cable in the pipeline. Open spaced 1-1/4" diameter outer coil feeds cable in and out of pipeline, loosens dirt and foreign matter.
10. Cable comes in 8 and 10 foot sections for work in small spaces and to make replacement inexpensive; available in both regular (1/2") and heavy duty (5/8") inner cable diameters.
11. Cable designed to scrape and remove wall deposits in 3" to 10" diameter pipelines with lengths of up to 200 feet.
12. Quick connect Snap-Lock couplings supply an instant, secure hold with no set screws, nuts or loose pins; all drive pins and connector pins are constructed of stainless steel.
13. Optional Model J Kit, with all of the same exclusive features as the larger dual cable, permits Model C, with easily reduced clutch setting to clean smaller, 2" to 4" lines with lengths up to 30 metres (Kit includes 22 metres of cable.)
 - Comes in 6' cable sections with containers.
 - Five standard cleaning tools can handle all types of work.
 - SJ-7 adapter easily snaps into SC-10A dual cable drive fitting.
14. Cable containers come standard for more convenient transport of sections (see back page under Standard Equipment.)



Lightweight and compact for easy transport

Dual Cable



Patent Pending
redesigned quick-connect snap-lock cable coupling allows cables to connect easier and quicker than ever. Now standard on all Electric Eel® sectional dual cables, regular and heavy duty, and totally compatible with all cables currently in use.

Model J Cable Kit (Optional)

