

REMO[®] REMOTE PLACEMENT PLUGS



The Remo[®] Remote Placement plug provides two advantages—it eliminates the need to enter confined spaces and speeds up the pipe plugging process. The system is safer and less expensive to use than conventional plugging methods because it requires no confined space equipment to simply block sewer flow. A lightweight aluminum pole system* or a standard 1¼" iron pipe** is used to place the Remo[®] plug in the sewer system.

Remo[®] Plug Features:

- Multi-size design to seal multiple pipe sizes
- Can be locked at a 90° angle to seal openings in manholes at different levels
- Can be used as a back plug for sewer tests
- Adapters available to convert Muni-Ball[®] plugs into Remo[®] plugs

Pole System Features:

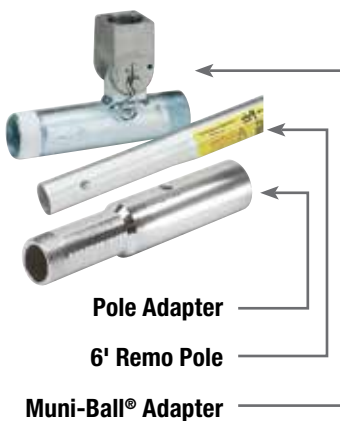
- Consists of 6' lightweight aluminum poles with push-button construction
- Designed for plugs up to 30 lbs used in manhole depths of up to 20'
- Poles are 1/6th the weight of iron pipe
- Pole system requires Remo[®] pole adapter

REMO[®] REMOTE PLUGS



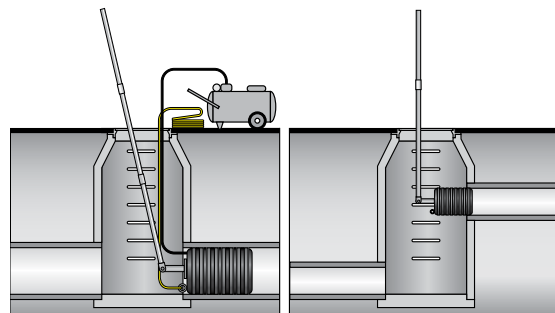
PART NUMBER	NOMINAL SIZE	USAGE RANGE	MAXIMUM BACK PRESSURE	INFLATION PRESSURE	PRODUCT WEIGHT	DEFLATED LENGTH
319128	6"-12" (150-300 mm)	5.5"-12.25" (140-310 mm)	15 PSI (1 Bar)	45 PSI (3 Bar)	8.5 lbs	25"
219128	8"-12" (200-300 mm)	7"-12.25" (178-311 mm)	15 PSI (1 Bar)	45 PSI (3 Bar)	11 lbs	18.5"
219188	12"-18" (300-450 mm)	10.75"-18.25" (273-464 mm)	15 PSI (1 Bar)	45 PSI (3 Bar)	25 lbs	25"

ACCESSORIES



PART NUMBER	DESCRIPTION
019473	6' Remo [®] Pole
019458	Remo [®] Pole Adapter (1¼" M NPT)
019558	1½" Remo [®] Muni-Ball [®] Adapter
019568	2" Remo [®] Muni-Ball [®] Adapter
019548	2" – 1½" Remo [®] Reducer Bushing
060508	3" – 2" Remo [®] Reducer Bushing
059688	4" – 2" Remo [®] Reducer Bushing

*Requires pole adapter
**When added strength is needed, iron pipe is recommended



ALWAYS BLOCK PLUGS WHEN CONDUCTING AIR TESTS.