

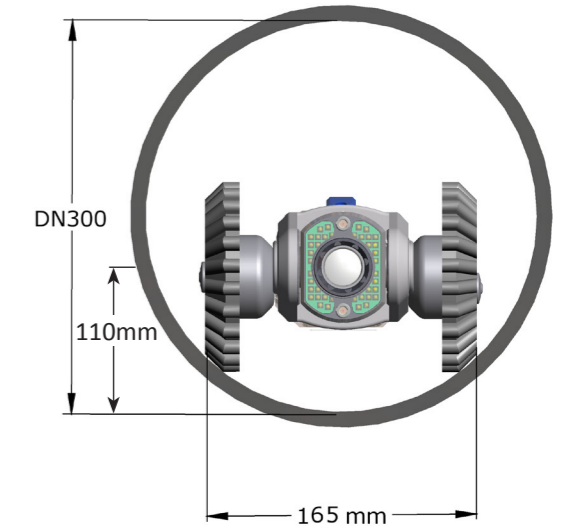
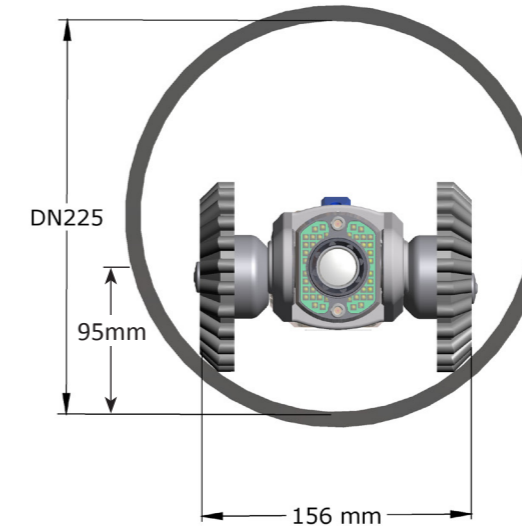
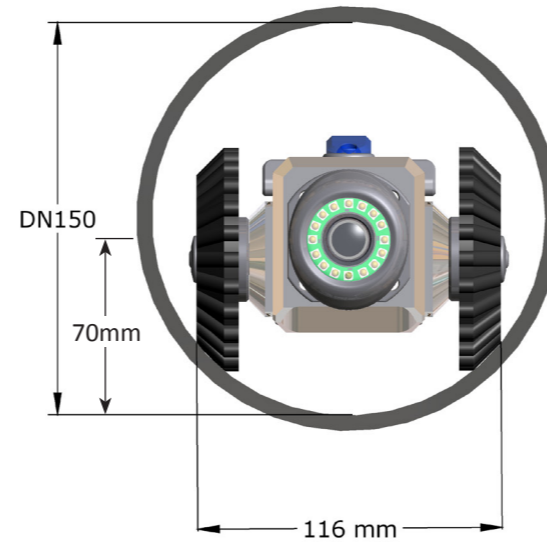
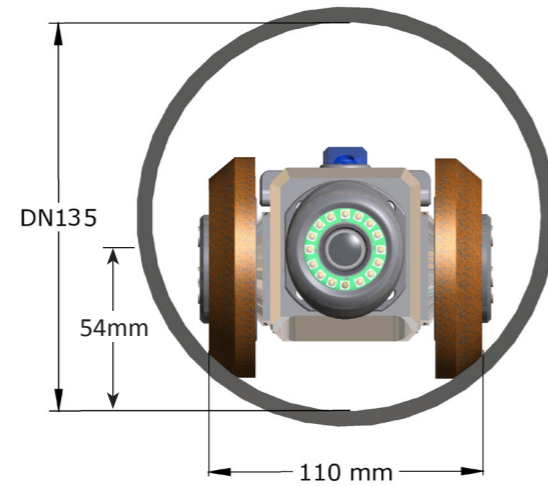
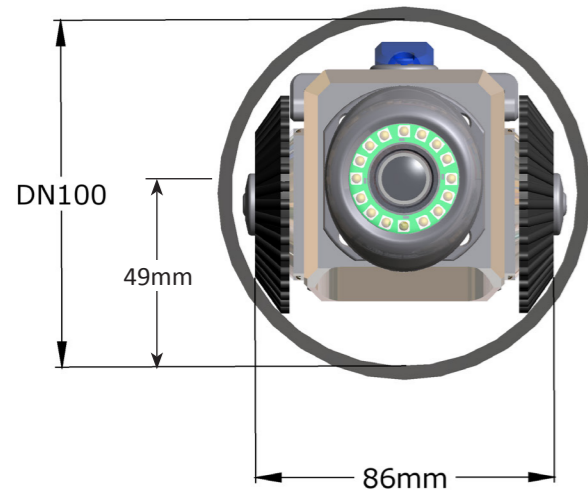


Model RX95 with AC50

RX95 CONFIGURATION AND WHEEL CHART

DEVICE	DESCRIPTION	PART NO.	QTY	DN100	DN135	DN150	DN225	DN300
RCX90	CAMERA	I561-0900-00	1	•	•	•	•	•
RX95	TRACTOR	I555-0900-00	1	•	•	•	•	•
SPIKED WHEEL Ø64	METAL WHEEL	IWHED64	6	x				
RUBBER Ø64	WHEEL RUBBER Ø64	I080-0505-00	6	•				
ELKA Ø86	WHEEL ELKA THIN Ø86	I080-NEW	4		•			
ELKA Ø86	WHEEL ELKA WIDE Ø86	I080-0605-00	4			•		
RUBBER Ø110	WHEEL RUBBER Ø110	I080-0530-00	4				•	
RUBBER Ø110	WHEEL RUBBER Ø135 WIDE	I080-NEW	4					•

LEGEND	
•	REQUIRED
x	EXTRA GRIP IN PVC OR LINED PIPES

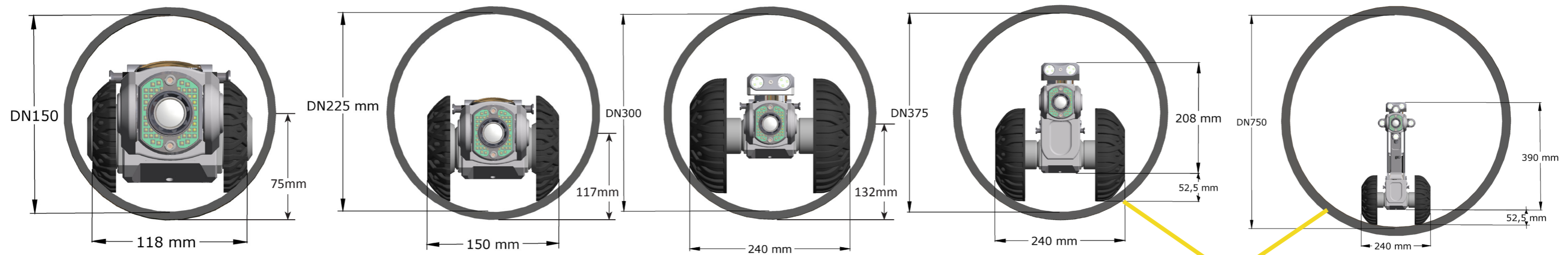


WHEEL TYPES

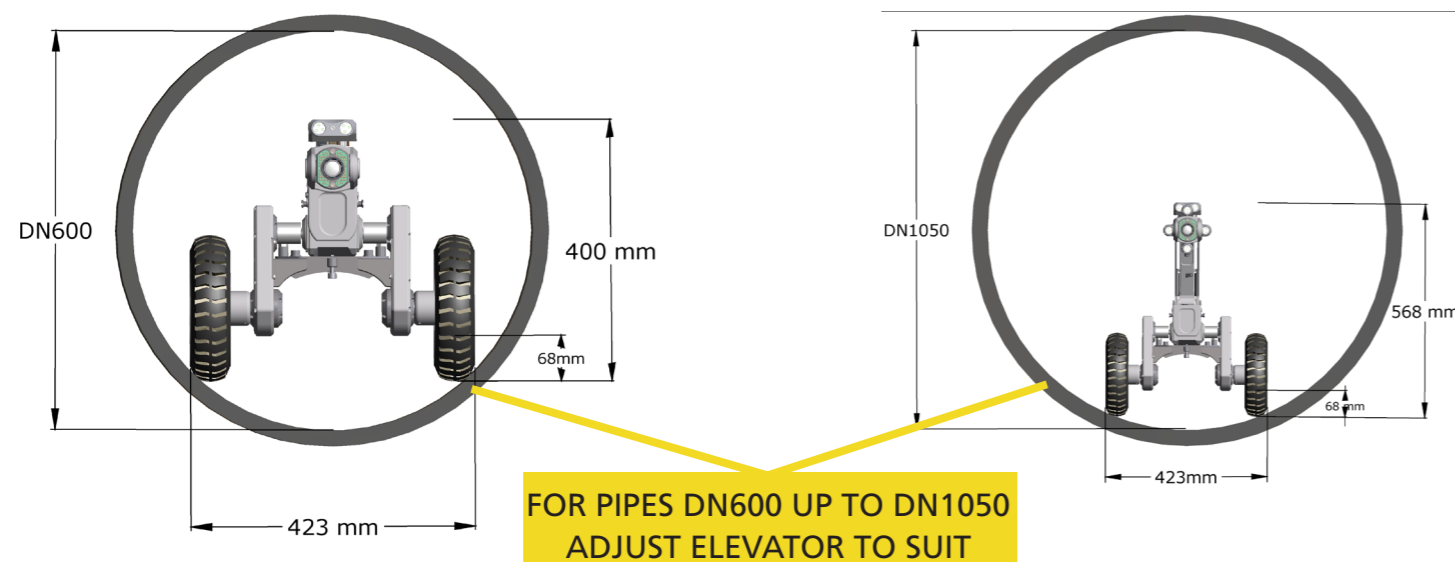
Rubber	STANDARD WHEEL LOW WEAR. SUITABLE FOR ALL PIPE
ELKA	HIGH GRIP WHEEL IN GREASY PIPES. TO SUIT PVC AND VC PIPES. HIGH WEAR IF USED IN ABRASIVE PIPES EG. CONCRETE
SPIKED	ULTRA HIGH GRIP. FOR RELINED OR PVC PIPES. WHEELS SHARP AND COULD CUT CABLE IF RUN OVER.

RX130 CONFIGURATION AND WHEEL CHART

DEVICE	DESCRIPTION	PART NO.	QTY	DN150	DN225	DN300	DN375	DN450	DN525	DN600	DN675	DN750	DN825	DN900	DN975	DN1050
RCX90	CAMERA	I561-0900-00	1	•	•	•	•	•	•	•	•	•	•	•	•	•
RX130	TRACTOR	I560-0900-00	1	•	•	•	•	•	•	•	•	•	•	•	•	•
RAL130	ADD. LIGHTS	I567-0900-00	1			•	•	•	•	•	•	•	•	•	•	•
RED200	ELEVATOR	I564-0900-00	1				•	•	•	•	•	•	•	•	•	•
RAL1000	ADD. LIGHTS	I556-0900-00	1									•	•	•	•	•
RCR1000	UNDER CARRIAGE	I569-0900-00	1							□	□	□	•	•	•	•
QCD RCR ADAPTORS	QCD UNDER CARRIAGE ADAPTORS	I569-0017-00	1 (SET OF 4)							□	□	□	•	•	•	•
QCD RUBBER Ø85	QCD RUBBER WHEEL Ø85	I080-0701-00	6	•												
QCD RUBBER Ø150	QCD RUBBER WHEEL Ø150	I080-0703-00	4		•	•										
QCD RUBBER Ø175	QCD RUBBER WHEEL Ø175	I0800704-00	4				•	•	•	△	△	△				
RUBBER Ø220	BALLOON WHEEL Ø220 FOR RCR1000	I080-0564-00	4							□	□	□	•	•	•	•



HIGH CLEARANCE & WIDE WHEELS



FOR PIPES DN375 UP TO DN750
ADJUST ELEVATOR TO SUIT

LEGEND	
•	REQUIRED
△	STANDARD SET UP LOW CLEARANCE UNDER TRACTOR
□	UNDER CARRIAGE SET WITH HIGH CLEARANCE UNDER TRACTOR